

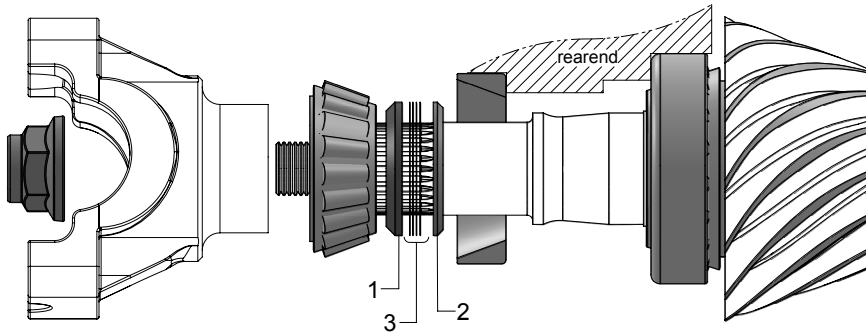
# Strange

## Kit Summary:

Kit #	R5230PS
Description	Pinion preload spacer kit
Applications	Aftermarket Ford 8.8 Gear set <i>Note: Does not fit Ford OE 8.8 Gearset (ID can be bored to fit)</i>
Page	1 of 1 total pages
Date Modified	Apr 27, 2018

## RaceStrange

These instructions only overview the installation and assembly of pinion preload spacer kit. Center section set-up specification for backlash and side bearing preload are not provided.



ITEM #	PART #	DESCRIPTION
1	N1925A	pinion spacer
2	R5230B	preload spacer
3	N1925B	0.004 x 1- $\frac{3}{8}$ shim
4	N1925C	0.005 x 1- $\frac{3}{8}$ shim
5	N1925D	0.006 x 1- $\frac{3}{8}$ shim
6	N1925E	0.007 x 1- $\frac{3}{8}$ shim
7	N1925F	0.008 x 1- $\frac{3}{8}$ shim

Setup specs	
Pinion preload	20-25 [in-lbs] <i>(without seal)</i>
Pinion nut torque	200 [ft-lbs]

### Pinion Bearing Preload

bearing preload is the measure of torque [in-lbs] required to rotate the pinion after the nut has been torqued to spec use shims as necessary to achieve pinion preload

### Pinion nut torque

pinion nuts are installed with red loctite  
only apply loctite after preload has been established