

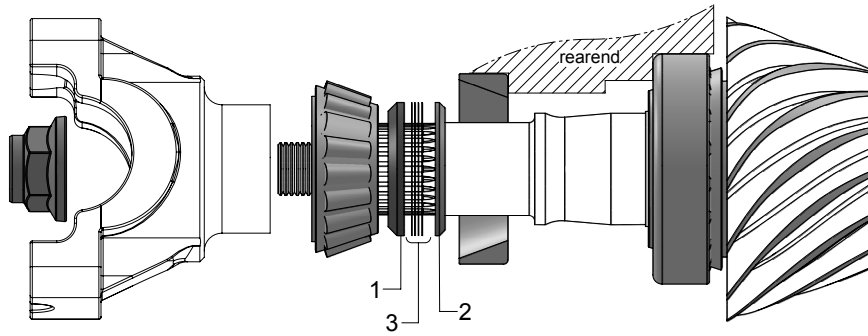
Strange

Kit Summary:

Kit #	R5230PS
Description	pinion preload spacer kit
Applications	Ford 8.8
Page	1 of 1 total pages
Date Modified	Apr 16, 2015

RaceStrange

These instructions only overview the installation and assembly of pinion preload spacer kit. Center section set-up specification for backlash and side bearing preload are not provided.



ITEM #	PART #	DESCRIPTION
1	N1925A	pinion spacer
2	R5230B	preload spacer
3	N1925B	0.004 x 1- $\frac{3}{8}$ shim
4	N1925C	0.005 x 1- $\frac{3}{8}$ shim
5	N1925D	0.006 x 1- $\frac{3}{8}$ shim
6	N1925E	0.007 x 1- $\frac{3}{8}$ shim
7	N1925F	0.008 x 1- $\frac{3}{8}$ shim

Setup specs	
Pinion preload	20-25 [in-lbs] (without seal)
Pinion nut torque	200 [ft-lbs]

Pinion Bearing Preload

bearing preload is the measure of torque [in-lbs] required to rotate the pinion after the nut has been torqued to spec use shims as necessary to achieve pinion preload

Pinion nut torque

pinion nuts are installed with red loctite
only apply loctite after preload has been established