

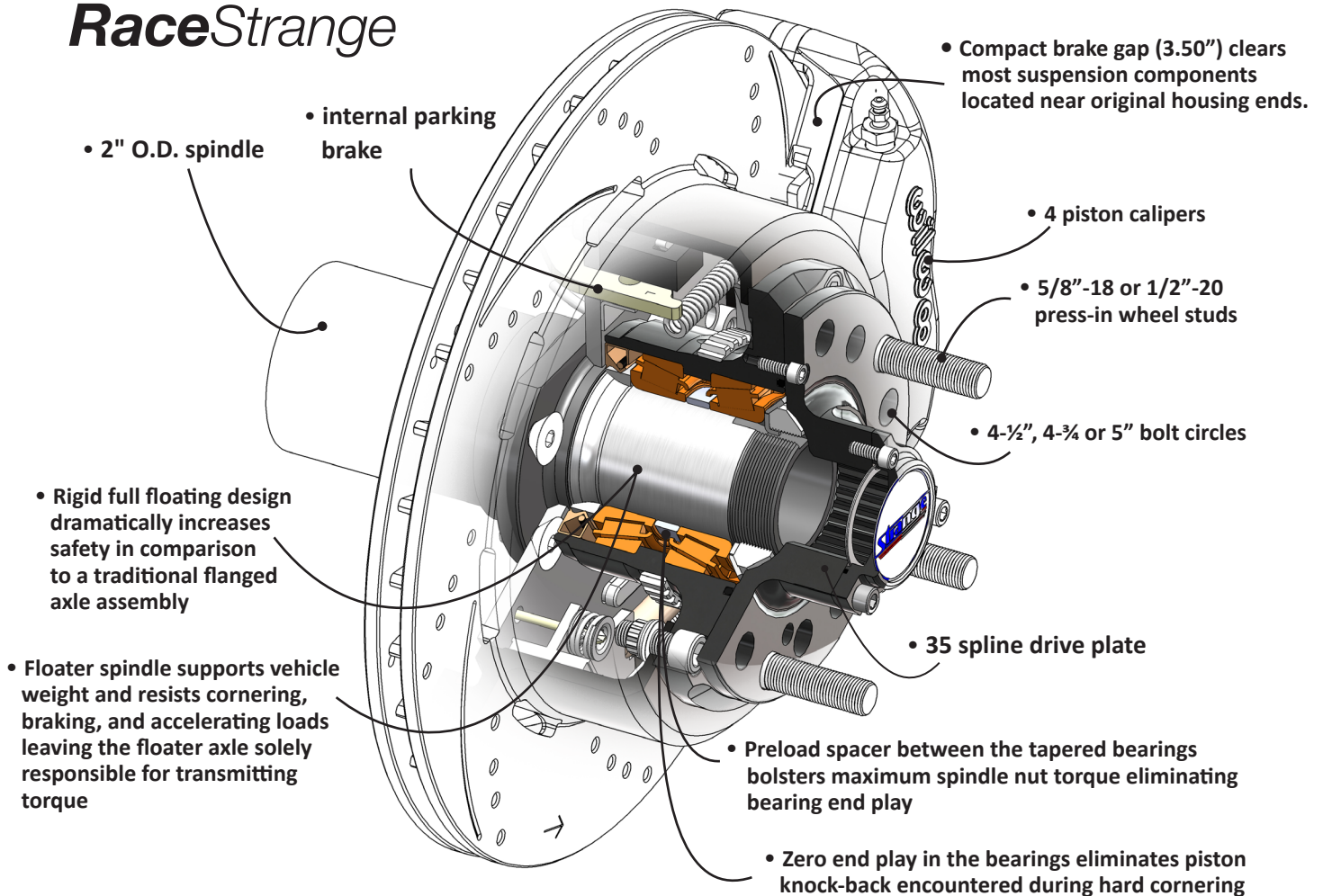
## F5010 PRO TOURING FLOATER KIT

Installation to be performed by a qualified technician.

### Optional Brake Kit #

- B2711WC** Black Calipers & 12.19" Brake Discs
- B2711WCR** Red Calipers & 12.19" Brake Discs
- B2714WC** Black Calipers & 14.00" Brake Discs
- B2714WCR** Red Calipers & 14.00" Brake Discs

## RaceStrange



### P5010 KIT CONTENTS

ITEM#	PART#	QTY	DESCRIPTION
1	A1050DL	6	1/4-28 x 5/8" SHCS
2	F5056FS	2	Floater cap
3	A1RS	2	Decal
4	F2200B	2	O-Ring -032
5	F5056L	4	10-24 x 1/2" SHCS
6	F5056A	2	Drive Plate
7	A1024B	2	O-ring -237
8	F5056C	2	Spindle nut
9	F5056D	2	Spindle nut retainer
10	N1948	4	Timken bearing LM104949
11	F5056E	2	Preload spacer
12	F5056K	10	3/8-24 x 3/4" SHCS
13	F5056H	2	Drive hub

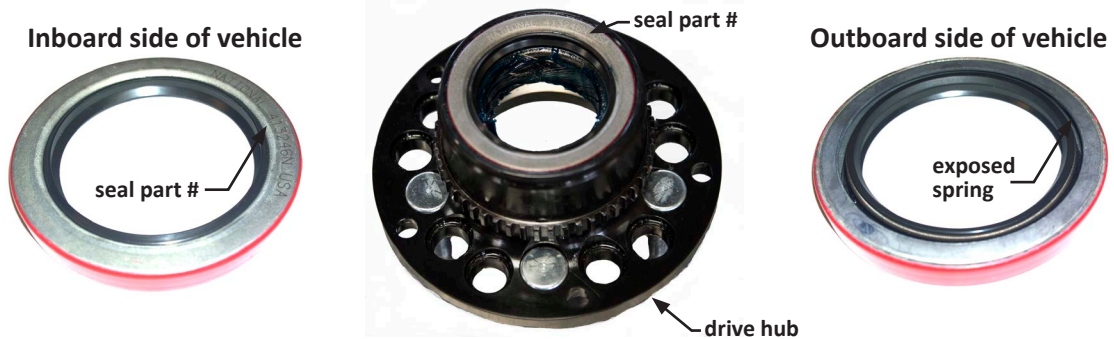
ITEM#	PART#	QTY	DESCRIPTION
14	N1949	4	Timken cup LM104911 (pre-installed)
15a	A3164A	10	1/2-20 x 3.115 press-in stud (optional)
15b	A3166A	10	5/8-18 x 3.115 press-in stud (optional)
16	S3402N	10	3/8" washer
17	F1282	10	3/8-24 jet nut
18	F5056J	2	Seal national 413246N
19	F1237D	10	3/8-24 x 3/4" FHSCS
20	F5056B	2	Spindle ring
21	F5056G	2	Street floater spindle
22	F5056W	1	Spindle spanner wrench
23	F5056O	2	ABS sensor screw M8 x 1.25 x 14mm BHSCS (optional)
24	F5056N	2	ABS sensor spacer (optional)
25	F5056M	2	Reluctor ring (optional)



## Installation Notes

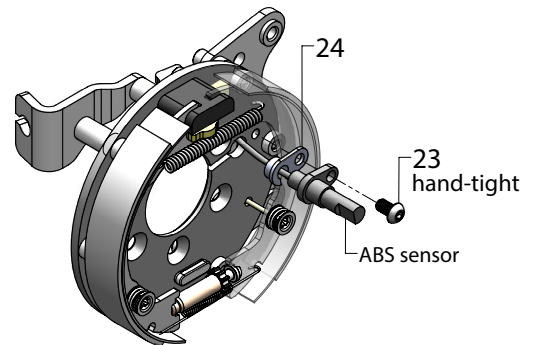
- Clevis and cable kit which attach to the parking brake assembly are not included in Wilwood parking brake kit. Contact Wilwood to order cable kit separately.
- Use the assembly diagram shown on page 4 to install the components. If you have any questions, concerns or comments please feel free to contact Strange Engineering.
- For specific brake information including wheel clearance and brake testing please refer to Wilwood instructions attached at the end of this document.
- Prior to installing the bearings (10), ensure to pack the bearings with a high quality wheel bearing grease (NLGI #1 or NLGI #2). A bearing packer is recommended. Otherwise, work as much grease as possible by hand around the rollers.
- After installation rotate the hub and ensure all the components have seated properly.

## Hub Seal Installation



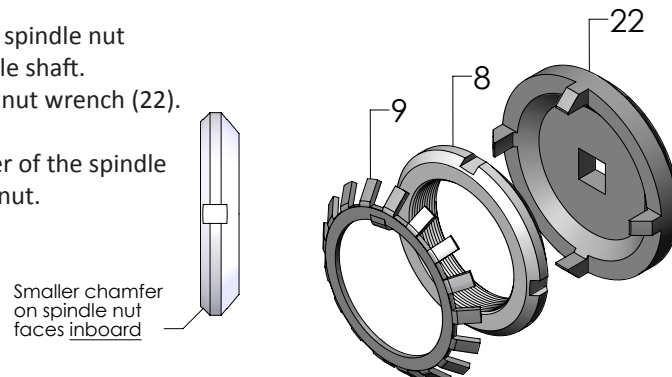
## Ford Mustang ABS Sensor Information

- ABS sensor must be installed before mounting the parking brake assembly on the spindle
- Parking brake assembly will have to be disassembled to install the sensor.
- 2011- present Mustang will use sensor spacer (24)
- 2010 and earlier Mustang will not use sensor spacer



## Axle Nut Installation

1. Ensure the tab on the inside diameter of the spindle nut retainer (9) slides into the groove of the spindle shaft.
2. The spindle nut is installed using the spindle nut wrench (22). Torque the spindle nut to 50-60 ft-lbs.
3. Bend one of the tabs on the outside diameter of the spindle nut retainer (9) into the slots on the spindle nut.



## Exploded View of Steer Floater Assembly

