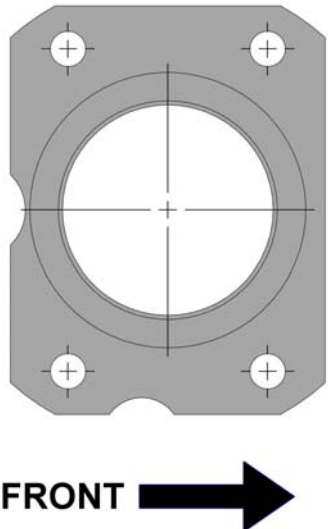
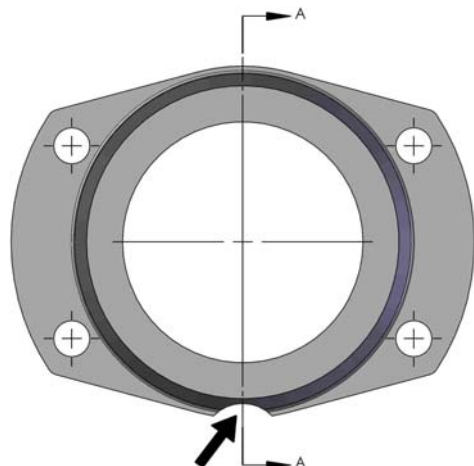
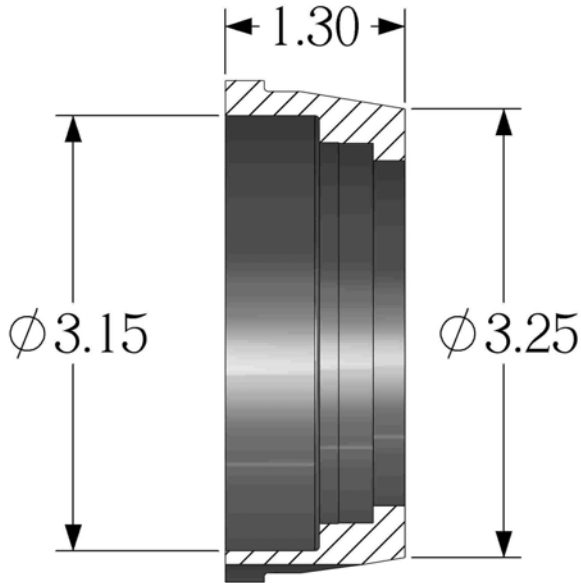


Applications:

Late Big Ford Housing End with ABS

Welding Guideline for '05 & up Mustang

OEM '05 & Up Mustang Housing End Original Orientation Passenger Side	H1148A Late Big Ford Housing End Welding Orientation Driver/Passenger Side
 <p>FRONT →</p>	 <p>Notch on housing end (H1148A) must be oriented downwards to clear ABS sensor</p>
Section A	
 <p>$\phi 3.15$</p> <p>$\phi 3.25$</p> <p>1.30</p>	