

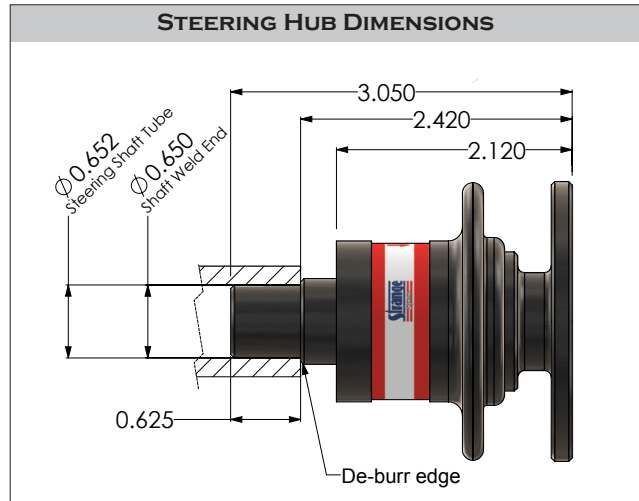
DRAGSTERIFUNNY CAR QUICK RELEASE STEERING HUB

KIT #
Q1000

Installation to be performed by a qualified technician.

RaceStrange

- Designed for \varnothing 0.652" I.D. Steering Shaft Tube
- Steering shaft weld end material is 4130 steel
- Wheel hub & hub sleeve material is 2024-T351 Aluminum
- SFI Certified
- Self contained mechanism
- Keyed spline design ensures wheel orientation
- 0.55 lbs. total weight with welded end
- Designed for butterfly steering wheels



KIT CONTENTS			
Item #	Part #	Qty.	Description
1	Q1000A	1	steering shaft weld end
2	Q1000E	1	retaining ring
3	Q1000B	1	hub sleeve
4	Q1000I	1	compression spring
5	Q1000G	4	#10-32 Jet Nut
6	Q1200H	8	#10 AN Washer
7	Q1000D	1	butterfly style wheel mntg. hub
8	Q1000C	4	$\frac{3}{16}$ " Ball
9	Q1000F	4	#10-32 x $\frac{3}{4}$ " BHCS

Note:
components (2,3,4,7,8)
come pre-assembled

72 in-lbs

Installation:

1. Cut steering shaft tube off at the desired length and de-burr as needed.
2. Align the front wheels of the vehicle to the forward position
3. Slip the steering shaft weld end (1) into the steering shaft with the keyed spline at the twelve o'clock position and weld together
4. Attach the steering wheel to the steering hub (7) as follows; use one washer (6) under the head of each screw (9), slide the screws thru the wheel and hub flange. Secure the steering wheel/hub assembly with one washer (6) under the head of each jet nut (5)
5. Attach the steering wheel/hub assembly to the steering shaft by aligning the keyed spline in the steering hub with keyed spline on the steering shaft. Once aligned, pull back on the hub sleeve (7) while gently pushing forward on the hub/assembly.

Pull back on the steering wheel to confirm the attachment.



Warning- Racing is hazardous

No warranty is given with this equipment
Due to the variations encountered in the use and installation of racing equipment, and the extreme conditions and stresses placed upon such products, no warranty of any kind is given, nor any representation made with our products. We specifically disclaim any responsibility for damages, either direct or consequential, as a result of the use of our products.