

Strange

Engineering

8300 North Austin Avenue · Morton Grove IL 60053 · 847-663-1701 · Fax 847-663-1702 · www.strangeengineering.net

Instructions for Strange Engineering B3362 & B3362NR Remote Dragster Aluminum Master Cylinder

External Components for B3362 & B3362NR

Item #	Part#	Qty.	Description
1	B3362A	1	0.777" bore Remote M.C Body
2	B3362Q	1	Top Fitting (Inlet port)
3	B3362S	1	Banjo Bolt
4	B3362T	1	Banjo Fitting (Outlet port)
5	B3362U	2	Aluminum crush washer
6	B3362C	1	Pushrod
7	B3362I	1	Pushrod Boot
8	B3350D ¹	1	Remote Reservoir
9	B3362W ¹	2	3/4"-16 Aluminum Nut
10	B3370E ¹	1	Reservoir Cap

¹Not Included in B3362NR Kit

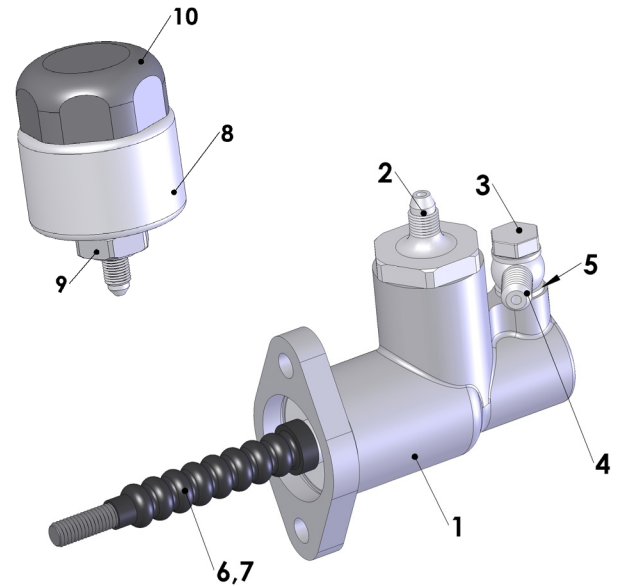
Plumbing:

- The reservoir, and both inlet and outlet ports accept -3 AN fittings
- Plumb the reservoir (8) to the top fitting (2) on the master cylinder
- The banjo fitting (4) is to be plumbed to the rear brake calipers

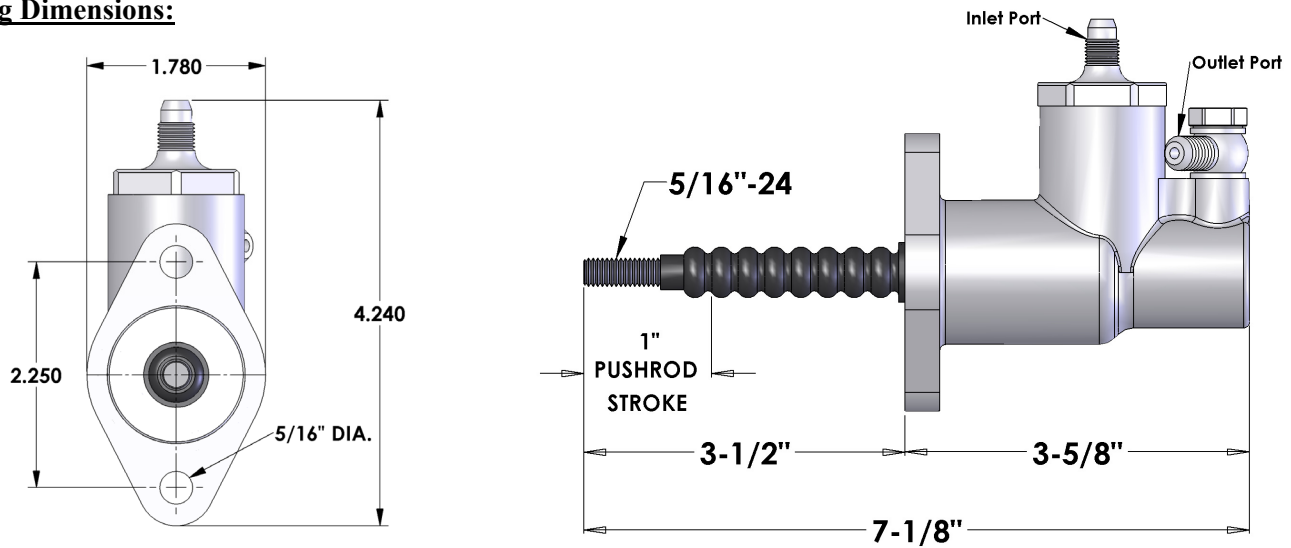
Installation:

- Before installation, the master cylinder **MUST** be bench bled. The majority of soft or spongy brakes results from not bleeding the master cylinder before it is installed. To properly bench bleed the Master:
 1. Connect the reservoir to the inlet port (2) on the master cylinder
 2. Run a brake line from the outlet port (4) of the master cylinder to the inside of the reservoir
 3. Fill the reservoir with DOT 4 or DOT 5.1 brake fluid until the end of the line is covered
 4. Slowly cycle the pushrod in and out until the line is void of air bubbles
- Recommended handle ratio is 10 to 1
- The reservoir must be mounted above the level of the brake calipers
- After installation of the master cylinder, the brake system must be bled. Use only DOT 4 or DOT 5.1 brake fluid.

Note: When bleeding the brake system the reservoir cap **MUST** be left loose or completely off to let air into the reservoir as the fluid goes down. If the cap is left off, place a rag over the reservoir, as fluid may shoot up from the tank.



Mounting Dimensions:



WARNING – RACING IS HAZARDOUS · STRANGE BRAKES ARE FOR LEGAL DRAG RACING ONLY

Disclaimer of Warranty – Purchasers using Strange Engineering racing components and equipment any and all inventory services, purchasers acknowledge that due to differing conditions and circumstances under which all equipment and parts are installed and used, purchasers are not relying on Strange Engineering Co. skill or judgment to select or furnish the proper part or equipment. Purchasers expressly affirm they are relying upon their own skill or judgment to select and purchase suitable goods.

Strange Engineering Co. makes no warranties whatsoever, expressed or implied, oral or written, to purchasers. There is no warranty of merchantability made to purchasers. Strange Engineering Co., further excludes any implied warranty of fitness with respect to racing and equipment, any and all inventory and service.