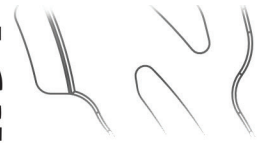




Strange



**EVOLUTION SERIES
SINGLE PISTON FRONT
BRAKE KIT INSTRUCTIONS**

KIT #
B4600WCE - Evolution Single
Piston front brake kit

APPLICATIONS
Ultra struts with "Anglia" style
spindles

Evolution Rotors

- Dynamic Drive Mount (DDM) system secures the rotor and allows for rotor thermal expansion
- DDM system design is secured by an internal Spirolox, eliminating heavy bolts and hardware
- Unique Aero Slot design reduces rotating weight and promotes even heat dissipation

Before you begin installation:

- Strange Engineering brake kits are designed for DRAG RACING ONLY!
- Read these instructions thoroughly and save for future reference.

-If after reading these installation instructions, you have any questions or comments, please do not hesitate to call us.

B1817 KIT CONTENTS

ITEM#	PART#	QTY	DESCRIPTION
1	B1260E	2	1/4" Stripper Washer
2	B1260I	4	3/8"-16 x 3" bolt
3	B1262J	2	Bridge Bolt Tube
4	B1250K	2	1/4"-20 x 3" bridge bolt
5	S3402N	8	3/8" AN Washer
6	B5000T	2	.125" Square O-Ring
7	L4000O	2	1/8" NPT Socket Plug
8	P2316	2	1/8" NPT x #3 AN fitting
9	P2365F	2	1/8" NPT Bleeder Assembly
10	B1270A	2	Evolution 1 Single Piston Caliper (outboard half)
11	B1270B	2	Evolution 1 Single Piston Caliper (inboard half)
12	B5000SB1	2	Caliper Piston
13	B1250H	4	Garlock 08-DU06 Bearing (installed in B1270D)
14	B1260K	4	Garlock 05-DU06 Bearing (installed in B1270C)
15	B3311C	4	Slide Pin
16	F1282	4	3/8" - 24 Jet Nut
17	B1270C	2	Evolution Back bracket
18	B1270D	2	Evolution Guide bracket
19	B2510	4	DTC-30 Soft-metallic brake pads

B4600WCE EVOLUTION KIT CONTENTS

ITEM#	PART#	QTY	DESCRIPTION
20	B4690L	1	Ultra Strut Left Caliper Mount
21	B4690R	1	Ultra Strut Right Caliper Mount
22	B2788AS	2	Evolution S Rotor
23	B1250SD	2	2-Piece rotor adapter
24	B2794D	2	Spirolock
25	B1817	2	Single-Piston Caliper
26	F1282	4	3/8" - 24 Jet Nut
27	S3402N	8	3/8" AN Washer
28	S3600T	4	3/8"-24 x 1" caliper bracket bolt
29	Z0908D02D	2	Wheel Spacer

Installation instructions

1. Mount the rotor on the wheel using 3/8" studs and nuts supplied with the wheel. Torque to approximately 35 ft-lbs.
2. Disassemble caliper by removing 3/8" caliper bolts (2) and the caliper bridge bolt (4). The slide pins (15) should remain attached to the bracket.
3. Attach the caliper mounting bracket (20,21) to the strut body using 3/8"-24 bolts (28), 3/8" washer (27) and jet nut (26). Torque to 35 ft-lbs.
4. Follow the Ultra Strut instructions to assemble the wheel onto the strut body.
5. The caliper now must be assembled onto the bracket. Using Figure 2 to assist you in making sure it is properly assembled. Install the inboard half of the caliper (11) along with the "hotdog" bracket (17) onto the slide pin (15). Insert one brake pad (19), and also insert the caliper bridge bolt (4), washer (1), and tube (3).
6. Slide the outboard "hotdog bracket" (18) over the slide pins.
7. Feed the outboard half of the caliper (10) either through the outside of the wheel or over the rotor.
8. Line up the outboard caliper half and brake pad and loosely secure with the caliper bridge bolt.
9. Re-install the 3/8" caliper bolts (2), making sure to use a washer (5) under the heads of the bolts. Torque 3/8" bolts to 30 ft-lbs and bridge bolt to 8-10 ft-lbs.
10. Connect the hydraulic lines to the calipers. Calipers are tapped to 1/8"-27 NPT and supplied with -3AN fittings. Use proper adapters to connect them to existing lines or use new -3AN braided steel line (Teflon lines). Bleed calipers with DOT 4 or DOT 5.1 brake fluid ONLY.
11. A proper break in procedure is required to avoid brake fade and uneven rotor deposits from the pads. It consists of 8-10 brake applications increasing in harshness while allowing the brakes to cool slightly in between; do not keep the brakes applied between stops. After the last stop the brakes should be allowed to cool completely.

Note: After the initial installation of this kit, ensure that there is adequate clearance between all braking and chassis components by turning the wheels all the way left to right and moving them all the way up and down throughout the length of the wheel (suspension) travel. Additionally, make sure that the brake lines are not interfering with the wheel travel, or subject to binding or kinking. Operate the vehicle in a cautious manner until you determine that the brakes are functioning properly. Routinely check and re-torque all bolts.

FIGURE # 1: Exploded B4600WCE Assembly View

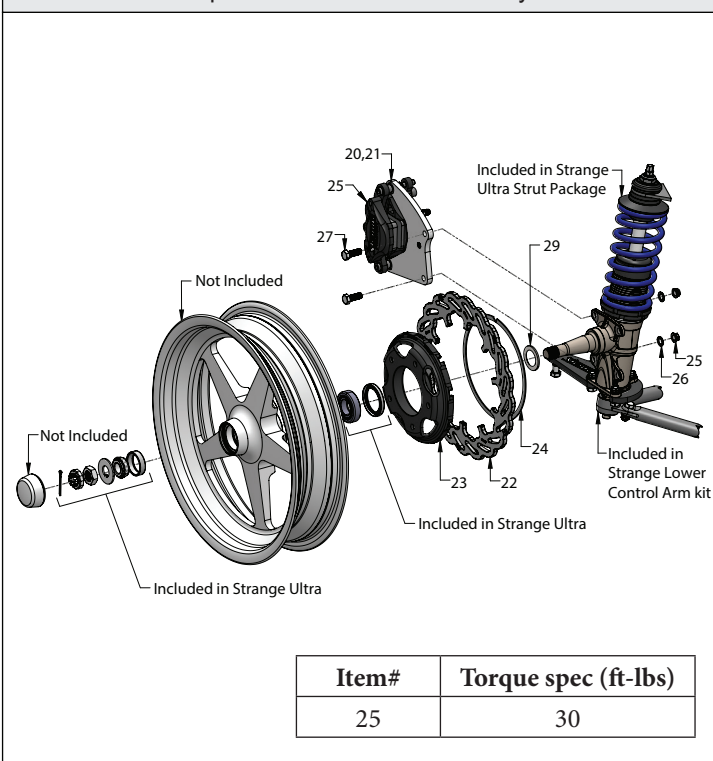
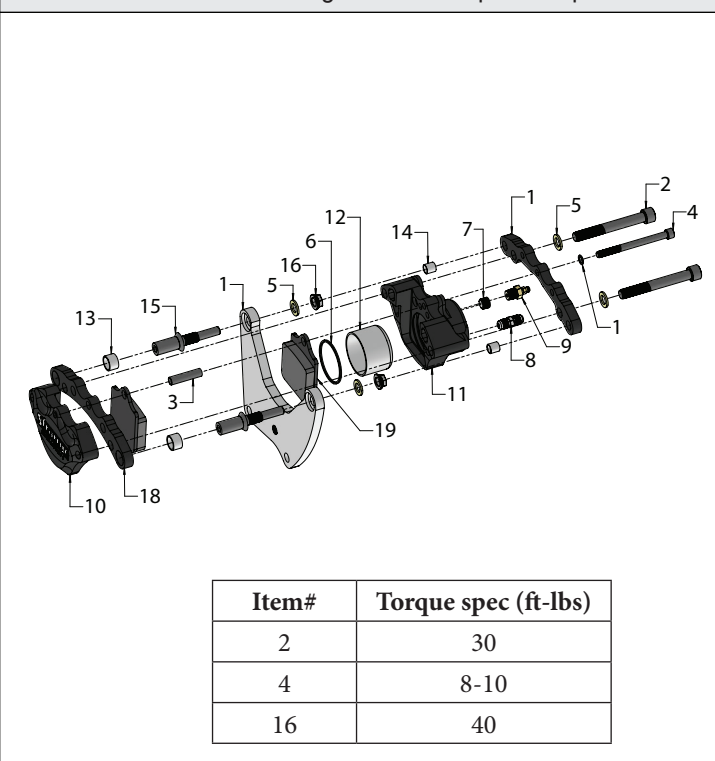


FIGURE # 2: Evolution Single Piston Caliper Components



WARNING - RACING IS HAZARDOUS · STRANGE BRAKES ARE FOR LEGAL DRAG RACING ONLY

Disclaimer of Warranty - Purchasers using Strange Engineering racing components and equipment any and all inventory services, purchasers acknowledge that due to differing conditions and circumstances under which all equipment and parts are installed and used, purchasers are not relying on Strange Engineering Co. skill or judgment to select or furnish the proper part or equipment. Purchasers expressly affirm they are relying upon their own skill or judgment to select and purchase suitable goods.

Strange Engineering Co. makes no warranties whatsoever, expressed or implied, oral or written, to purchasers. There is no warranty of merchantability made to purchasers. Strange Engineering Co., further excludes any implied warranty of fitness with respect to racing and equipment, any and all inventory and service.